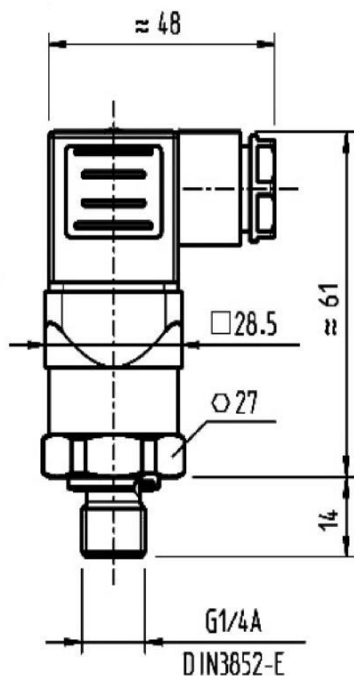
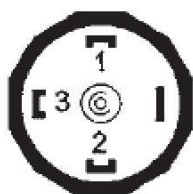
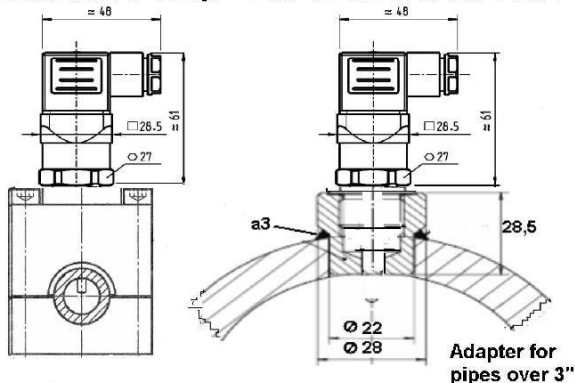


Pressure sensor DS-1-A-400-1/4" or 3/8" for serv-Clip® 2

-No need cutting pipes-



DS with serv-Clip DS with SC-XE-607



Electric connection
EN 175301-803A

Pin 1 = Out / GND
Pin 2 = OV

- ◆ Measurement range 0 ... 400 bar
- ◆ Output 4 ... 20 mA / 2 wires
- ◆ Operating temperature -30 ... 100°C
- ◆ Protection mode IP 65
- ◆ Right-angle plug connection DIN EN 175301-803A
- ◆ Robust stainless steel housing
- ◆ Fully encased sensor element made of stainless steel

Description

The piezo-resistive pressure sensor DS-1-A-400- ... was developed for a wide range of general measurement applications in the field of industrial hydraulics.

Typical applications include systems and plant engineering, automation, air conditioning, and refrigeration.

In addition to its robust and compact design, it stands out by its high accuracy and its extensive measurement range.

As a standard, the housing and all parts exposed to the liquid are made of stainless steel (Type 1.4571).

The standard connection is G1/4", with soft seals made of NBR

Installation with serv-Clip 1

Before mounting the measurement connector sc-1... , the standard measurement coupling is replaced by the pressure sensor.

The patented measuring connector is simply screwed onto the pressurized pipe (after cleaning the pipe surface) without having to interrupt the operation of the system.

Installation with serv-Clip 2

The patented measuring connector sc-2-... was developed for installation on pressureless hydraulic pipes. After installation, the measuring connection can continuously be used, supporting operating pressures of up to 630 bar.

The measuring connection sc-2-... comes pre-mounted, including measurement coupling and needle. By screwing the measurement coupling onto the pipe, a specially shaped needle is pressed through the pipe wall. Afterwards the measurement coupling is unscrewed again. The measuring connection is completely tight and is ready for continuous use

Using the serv-Clips sc-1-... and sc-2-..., the pressure sensor can be installed easily, quickly and safely even by non-technical staff. The whole process takes a few minutes only. No special tools are required for the installation of the serv-Clips.

The system is completely tight, preventing any contamination of the hydraulic oil and ensuring sustained operational safety. The measuring connections are continuously available for measurement applications.

Installation with welding adaptor SC-XE-607

For pipes from 3" (88,9 mm) and wall thickness from 6 mm can be used the welding adaptor SC-XE-607.

Installation with serv-Clip on stainless steel pipes up to 5,5 mm wall thickness with special needle for serv-Clip (Art. 501-040-02 for Type 1) and (Art. 501-041-02 for Type 2) upon request.

Specifications

Pressure range	0 ... 400 bar, against 1 bar
Overpressure	600 bar
Output signal	4 ... 20 mA
Power supply	8 ... 30V DC
Operating temperature	-30 ... 100°C
Ambient temperature	-30 ... 100°C
Configuration	2 wires
Protection mode	IP 65 DIN EN 175301-803A
Accuracy	1,0%
No-Linearity	0.5% BFSL
Pressure connection	G1/4" male / G3/8" male